



The European Telecommunication Standards Institute (ETSI) has developed a standard for cabinets which house conforming telecommunications equipment.

In response to the introduction of this ETSI Standard, MFB have developed cabinets that conform i.e. 2200mm high x 600mm wide and either 300mm or 600mm deep.

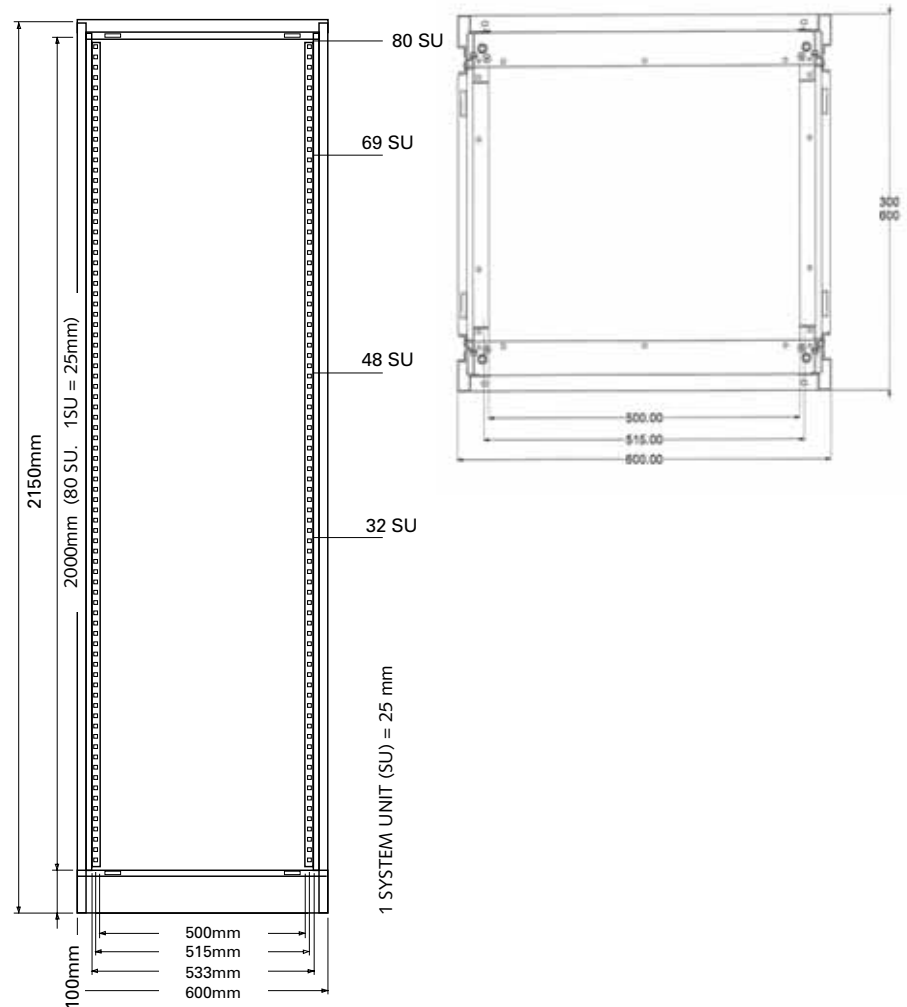
Whilst the ETSI Standard dictates specific requirements, customer variations on external sizes and internal features are commonly demanded. Only close conformance to the equipment mounting requirements on The Standard must be maintained.

While the ETSI standard dictates specific requirements, customer variations on external sizes and internal features are commonly demanded. These can include 800 wide reduced styles, special depths up to 1200mm and specially designed with dual ETSI and 19" formats.

The cabinet illustrated was built to comply with a customer's unique requirements and has specific variations to the Standard. It is 1800mm high and includes features such as dedicated cable entry ports in the roof and fully adjustable mounting angles. It is shown as an example of the variations that may be requested.

Please consult our Sales Department to discuss your requirements.

For ETSI specifications, refer to the general notes on page 88.



FRONT ELEVATION

## IEC 60297

Apart from the ETSI range, all cabinets in this catalogue generally conform to IEC 60297 and AS 1939 standards for 19" racking.

This standard forms the basis of all other related 19" standards. Strict conformance to the details of the mounting of 19" equipment is essential for the racks, subracks and internal housings.

However strict conformance relating to external cabinet dimensions imposes severe design styling constraints for relatively minor benefits. Where close conformance is demanded we suggest our 2005 range.

1 RU = 44.45 (1 3/4")

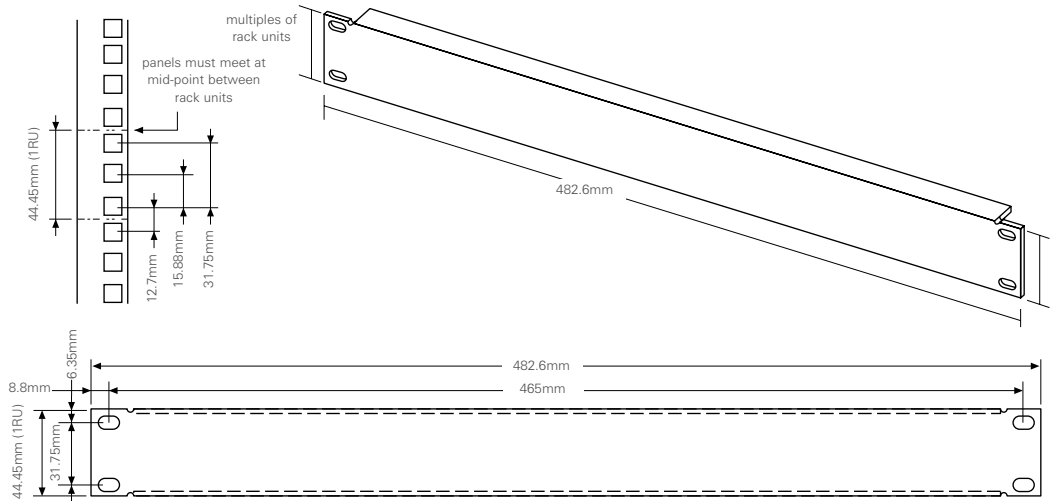
For tolerance requirements reduce calculated height by 0.8mm.

e.g. 3 RU

$3 \times 44.45 = 133.35 - 0.8 = 132.55$

Therefore, 132.55 is the actual height.

## IEC 60297 KEY ELEMENTS



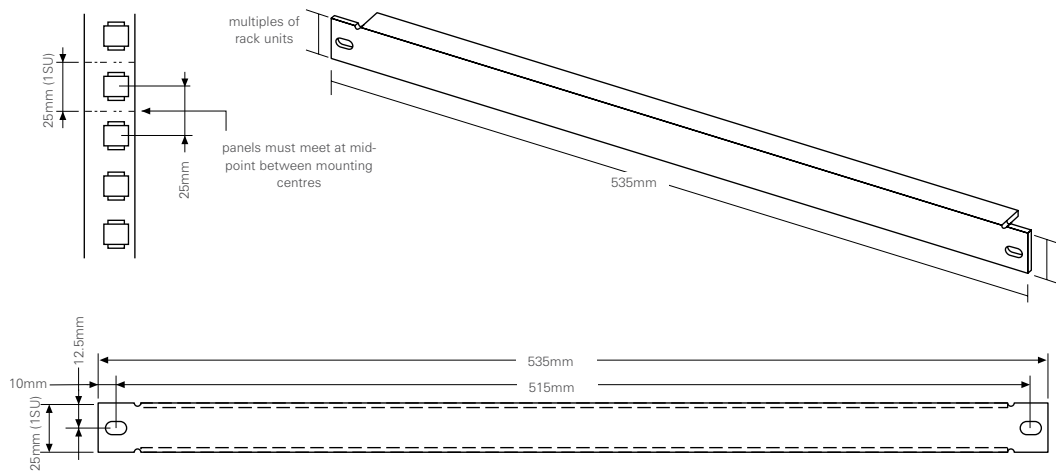
## ETSI

This European Telecommunication Standard (ETS) has been produced by the Equipment Engineering (EE) Technical Committee of the European Telecommunications Standards Institute (ETSI).

The European Telecommunication Standard is aimed at setting out, on a common basis, the engineering requirements for telecommunication practice, for housing equipment forming part of a public telecommunications network.

This ETS applies to all telecommunications equipment forming part of the public telecommunications network.

## ETSI KEY ELEMENTS



For many years MFB Products Pty Ltd have provided the information on these pages as a service to their customers. It may be used, copied, reprinted in part or in full, without acknowledgement to MFB. MFB Products Pty Ltd have no reason to doubt the accuracy or validity of this information, however it is provided without obligation.

