



CLASS B SHOWING
GLAZED DOOR



CLASS C SHOWING
NON VENTED METAL DOOR



CLASS C SHOWING
VENTED METAL DOOR

This range of SCEC endorsed cabinets has been developed with the usual innovative design that customers have come to expect from MFB Products.

The Class B and Class C Cabinets are constructed using state of the art techniques made possible by MFB's commitment to utilising the latest manufacturing machinery and techniques.

MFB's Class B and Class C Cabinets are endorsed by the Security Construction and Equipment Committee for the protection of classified material. In accordance with the specifications, Class C 19" Rack Security Container - Rev C, May 2003.

This includes the endorsed BiLock system for Class C and the combination lock system for Class B Cabinets.

The frame is a fully welded construction using Galvaneal steel with a durable powder coat finish.

Every cabinet comes standard with adjustable mounting angles front and rear, vents providing maximum air flow in the top and bottom. Cable entry points, and provisions for optional fans in the doors and top/bottom frames.

Available in standard heights of 18RU, 27RU, 39RU and 45RU. Widths of 640mm and 840mm and depths 900, 1000 and 1200mm.

Cabinets bayed together do not need adjoining side panels. Cabinets bayed together via SCEC endorsed baying up kits.

FEATURES

- Doors are hung on multiple hinges and secured in the closed position by SCEC endorsed locking systems for both Class C and Class B configurations.
- Individually serialized name plate.
- Fully adjustable mounting angles front and rear finished in powder coat black.
- Integrated plinth
- Cable entry points on the top and bottom provide secure access.
- Removable side panels secured from within the cabinet.
- Levelling Feet
- Designed to be bayed together with other Class B and Class C Cabinets.
- Powder Coat Finish with a choice of colours.

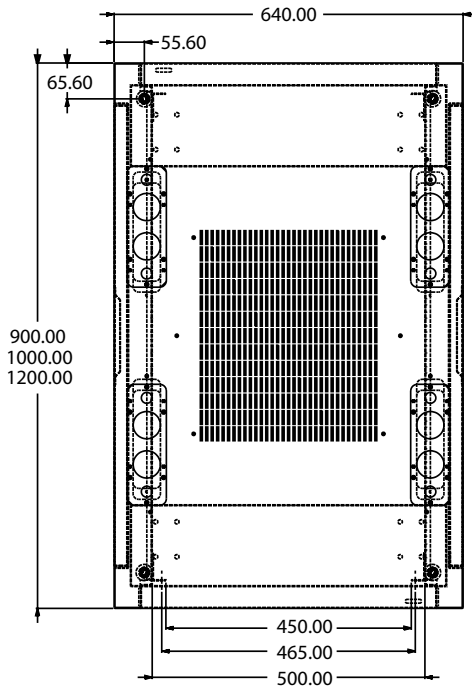
CONSTRUCTION AND FINISH

The cabinet components are fabricated from galvaneal steel and are powder coated prior to assembly to ensure accurate distortion free reproduction. These cabinets are constructed using modern assembly techniques, and are fully welded.

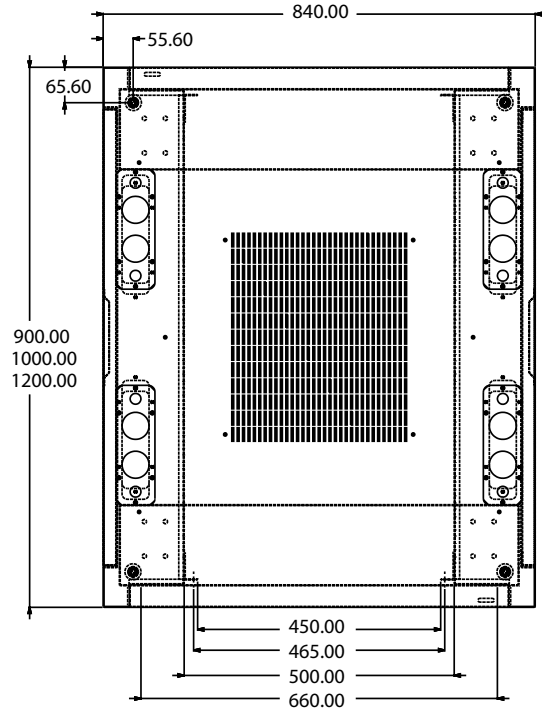
STANDARD CONFORMANCE

All standard 19" cabinets generally conform to IEC 60297 19" standard. The Class B & Class C cabinets also conform to SCEC specifications, Class C 19" Rack security Container Rev C, March 2003.

640 Plan



840 Plan



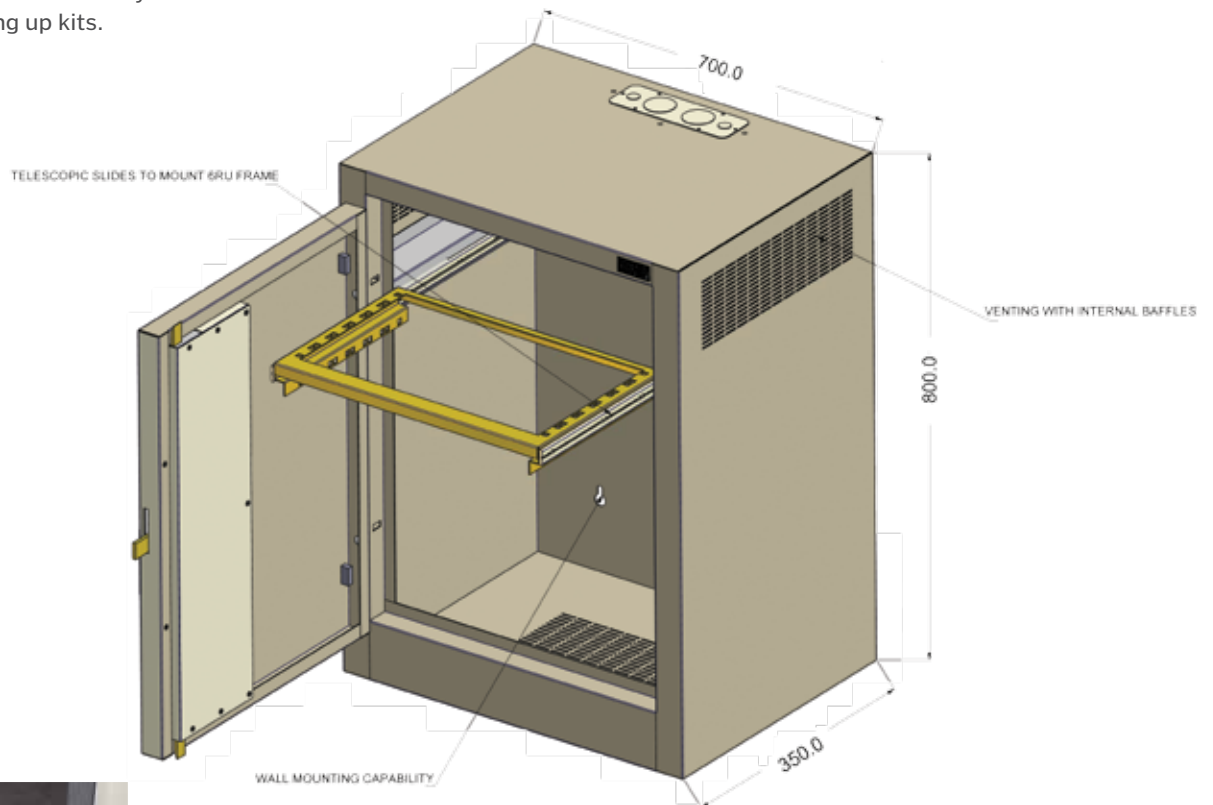
OPTIONS

- Roof & Floor mount fan unit with 4 or 6 fans.
- Doors include plain, vented and glazed.
- Door fan units for both 640mm and 840mm wide cabinets.
- Castors can be fitted within the plinth.
- Thermostatically controlled fans available.
- Vented Side Panels.
- Class B Cabinets can be ordered with either Lagard TL11G or Kaba X09 Locking Systems.
- Seifert precision air conditioner system can be fitted.
- SCEC endorsed buying up kits.

CUSTOM REQUIREMENTS

Design variations can be readily undertaken. These are best done at the outset of a project.

Whilst we consider our range extensive, sometimes a special size is required. These will be willingly undertaken but may require a longer lead time (All custom designed cabinets will be SCEC endorsed). Please contact our Sales Department for further assistance.



GLAZED DOOR
6MM LEXAN MARGARD®

THIS IS AN EXAMPLE OF A CUSTOM CLASS C ENCLOSURE. IT IS WALL MOUNTED WITH HORIZONTAL 19" MOUNTING ON A SLIDE OUT FRAME. DESIGNED TO REDUCE THE OVERALL DEPTH OF THE ENCLOSURE, IT IS A PERFECT EXAMPLE OF THE CUSTOMIZATION THAT CAN BE ACHIEVED, WHILST WORKING WITHIN THE GUIDELINES OF SCEC ENDORSEMENT.



CLASS C LOCK



CLASS B LOCK



TOP SHOWING CABLE ENTRY + VENTING

CLASS B & CLASS C CABINETS

CLASS B CABINETS

RU	OVERALL		640 WIDE		840/19"	
	HEIGHT	DEPTH	CODE	WEIGHT	CODE	WEIGHT
18	997	900	05000-30	129	05000-42	154
		1000	05000-31	140	05000-43	165
		1200	05000-32	151	05000-44	176
27	1397	900	05000-33	144	05000-45	169
		1000	05000-34	155	05000-46	180
		1200	05000-35	166	05000-47	191
39	1930	900	05000-36	159	05000-48	184
		1000	05000-37	170	05000-49	195
		1200	05000-38	181	05000-50	206
45	2197	900	05000-39	174	05000-51	199
		1000	05000-40	185	05000-52	210
		1200	05000-41	196	05000-53	221

CLASS C CABINETS

RU	OVERALL		640 WIDE		840/19"	
	HEIGHT	DEPTH	CODE	WEIGHT	CODE	WEIGHT
18	997	900	05000-01	129	05000-13	154
		1000	05000-02	140	05000-14	165
		1200	05000-03	151	05000-15	176
27	1397	900	05000-04	144	05000-16	169
		1000	05000-05	155	05000-17	180
		1200	05000-06	166	05000-18	191
39	1930	900	05000-07	159	05000-19	184
		1000	05000-08	170	05000-20	195
		1200	05000-09	181	05000-21	206
45	2197	900	05000-10	174	05000-22	199
		1000	05000-11	185	05000-23	210
		1200	05000-12	196	05000-24	221

GLAZED DOORS

RU	CLASS C		CLASS B	
	640 WIDE	840 WIDE	640 WIDE	840 WIDE
18	05003-20	05003-24	05003-50	05003-54
27	05003-21	05003-25	05003-51	05003-55
39	05003-22	05003-26	05003-52	05003-56
45	05003-23	05003-27	05003-53	05003-57

METAL DOORS

RU	CLASS C		CLASS B	
	640 WIDE	840 WIDE	640 WIDE	840 WIDE
18	05003-01	05003-09	05003-30	05003-38
27	05003-02	05003-10	05003-31	05003-39
39	05003-03	05003-11	05003-32	05003-40
45	05003-04	05003-12	05003-33	05003-41

METAL DOORS - VENTILATED

RU	CLASS C		CLASS B	
	640 WIDE	840 WIDE	640 WIDE	840 WIDE
18	05003-05	05003-13	05003-34	05003-42
27	05003-06	05003-14	05003-35	05003-43
39	05003-07	05003-15	05003-36	05003-44
45	05003-08	05003-16	05003-37	05003-451



CLASS B SHOWING METAL DOOR

CLASS C SHOWING GLAZED DOOR

NOTES:

Weights are for frame, sides, two metal doors and mounting angles.



TOP MOUNTED FAN TRAY
SHOWN WITH OPTIONAL THERMOSTAT



BASE MOUNTED FAN TRAY

**CLASS B&C SECURITY
CABINET SIDE PANELS**

RU	DEPTH	CODE
18	900	05002-01
18	1000	05002-02
18	1200	05002-03
27	900	05002-04
27	1000	05002-05
27	1200	05002-06
39	900	05002-07
39	1000	05002-08
39	1200	05002-09
45	900	05002-10
45	1000	05002-11
45	1200	05002-12

**FAN UNIT FOR VENTILATED
DOOR WITH THERMOSTAT**

RU	640 WIDE	840 WIDE
18	05008-10	05008-14
27	05008-11	05008-15
39	05008-12	05008-16
45	05008-13	05008-17

FAN UNIT FOR VENTILATED DOOR

RU	640 WIDE	840 WIDE
18	05008-01	05008-05
27	05008-02	05008-06
39	05008-03	05008-07
45	05008-04	05008-08

ROOF & BASE FAN UNIT

TYPE	CODE
4 FAN	05009-01
6 FAN	05009-02

CASTOR WHEEL KIT

TYPE	CODE
CASTOR WHEEL KIT	05012-01

**CLASS B&C SECURITY
CABINET SIDE PANELS - VENTED**

RU	DEPTH	CODE
18	900	05002-20
18	1000	05002-21
18	1200	05002-22
27	900	05002-23
27	1000	05002-24
27	1200	05002-25
39	900	05002-26
39	1000	05002-27
39	1200	05002-28
45	900	05002-29
45	1000	05002-30
45	1200	05002-31

**ROOF FAN UNIT
C/W THERMOSTAT**

TYPE	CODE
4 FAN	05009-10
6 FAN	05009-11

CLASS B & C BAYING UP KIT

TYPE	CODE
SET OF 4	05010-01