



800 WIDE
VERSION SHOWN



1200 DEEP
VERSION SHOWN

S2005 FOR NETWORK SERVER APPLICATIONS

MFB has developed this Network Server Cabinet in response to the needs to house large file servers and other large equipment. Based on the successful Series 2005 range, this cabinet is further complimented with additional features for stability and increased airflow.

New deeper file servers have lead to the release of a 1200mm (1.2m) deep version of the rack. For ease of use and safety, the frame has been designed so that the sides consist of 2 x 600mm panels with a vertical support. In addition, there are frame supports in the base and stiffening in the top panel. This assures the frame will be strong and stable to support large loads.

Some items of modern equipment require significant front to rear air flow. MFB has developed a functional glazed door, with large vented areas either side of the glass or acrylic panel. When matched with the vented metal rear door, maximum air flow is achieved.

S2005 - 1200MM DEEP

This Series 2005 Cabinet is a perfect choice for large servers, the rack has an overall depth of 1200mm with a maximum internal mounting depth of 1060mm. the frame is designed so that the sides consist of 2 x 600mm panels with a vertical support. In addition, there are frame supports in the base and stiffening in the top panel, this ensures the frame will be strong and stable to support large loads.

FEATURES

These cabinets may be bayed to existing series 2005 cabinets for continuity of line.

Frame colour is black powder coat. Other colours available on request.

- The standard range of accessories for 2005 series cabinets are generally compatible with these-cabinets.
- Frames can be fitted with swingframe.

MOUNTING ANGLES



TYPE A PROFILE

The Type A mounting angle is fully adjustable throughout the depth of the rack, the right angle design provides easy mounting of equipment and accessories when only front and/or rear mounting is required. This mounting angle is the preferred cost effective choice for equipment and accessory mounting.

TYPE A PROFILE (ADJUSTABLE)

| RU | CODE |
|----|----------|
| 12 | 12008-43 |
| 18 | 12008-07 |
| 27 | 12008-01 |
| 33 | 12008-45 |
| 39 | 12008-03 |
| 42 | 12008-21 |
| 45 | 12008-05 |

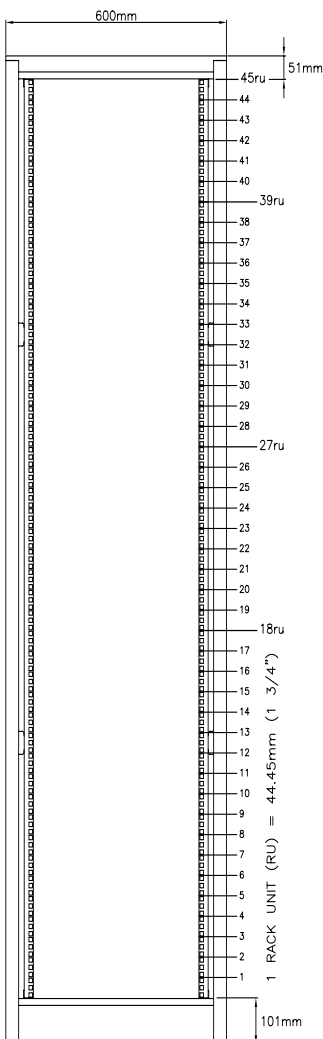


TYPE C PROFILE

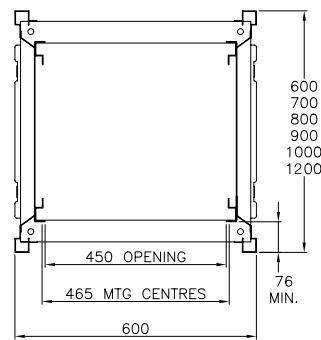
The Type C mounting angle is also fully adjustable and can be mounted in all MFB enclosures. This mounting angle features an additional mounting option on the side allowing for flexibility in equipment installations when required.

TYPE C PROFILE (ADJUSTABLE WITH SIDE PROFILE)

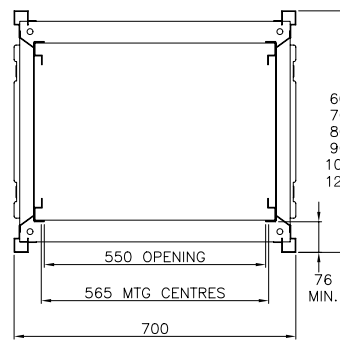
| RU | CODE |
|----|----------|
| 12 | 12009-19 |
| 18 | 12009-15 |
| 27 | 12009-01 |
| 33 | 12009-39 |
| 39 | 12009-03 |
| 42 | 12009-21 |
| 45 | 12009-05 |



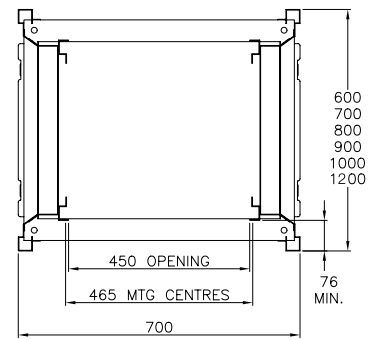
S2005 FRONT ELEVATION



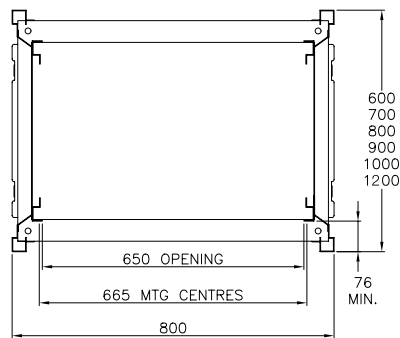
600 WIDE PLAN



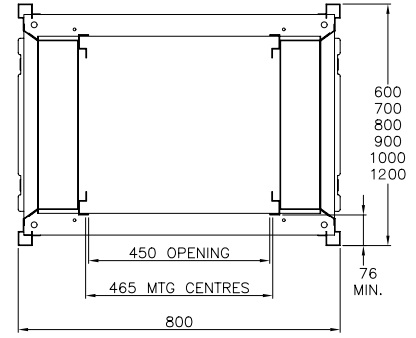
700 WIDE PLAN



700/19" PLAN



800 WIDE PLAN



800/19" PLAN

S2005 FRAMES - PART NUMBERS

| OVERALL | | 600 | | 700 | | 700/19" | | 800 | | 800/19" | | |
|---------|--------|-------|-----------|--------|----------|---------|----------|--------|----------|---------|----------|--------|
| RU | HEIGHT | DEPTH | CODE | WEIGHT | CODE | WEIGHT | CODE | WEIGHT | CODE | WEIGHT | CODE | WEIGHT |
| 12 | 686 | 600 | 06000-01 | 34 | 06000-46 | 37 | 06002-50 | 39 | 06001-01 | 40 | 06002-01 | 42 |
| | | 700 | 06000-02 | 40 | 06000-47 | 43 | 06002-51 | 45 | 06001-02 | 46 | 06002-02 | 48 |
| | | 800 | 06000-03 | 43 | 06000-48 | 46 | 06002-52 | 48 | 06001-03 | 49 | 06002-03 | 51 |
| | | 900 | 06000-04 | 47 | 06000-49 | 50 | 06002-53 | 52 | 06001-04 | 53 | 06002-04 | 55 |
| | | 1000 | 06000-05 | 51 | 06000-50 | 54 | 06002-54 | 56 | 06001-05 | 57 | 06002-05 | 59 |
| | | 1200 | 06000-300 | 56 | 06000-86 | 59 | 06002-90 | 61 | 06001-46 | 62 | 06002-41 | 63 |
| 18 | 953 | 600 | 06000-06 | 44 | 06000-51 | 47 | 06002-55 | 49 | 06001-06 | 50 | 06002-06 | 52 |
| | | 700 | 06000-07 | 50 | 06000-52 | 53 | 06002-56 | 55 | 06001-07 | 56 | 06002-07 | 58 |
| | | 800 | 06000-08 | 55 | 06000-53 | 58 | 06002-57 | 60 | 06001-08 | 61 | 06002-08 | 63 |
| | | 900 | 06000-09 | 59 | 06000-54 | 62 | 06002-58 | 64 | 06001-09 | 65 | 06002-09 | 67 |
| | | 1000 | 06000-10 | 63 | 06000-55 | 66 | 06002-59 | 68 | 06001-10 | 69 | 06002-10 | 71 |
| | | 1200 | 06000-301 | 67 | 06000-87 | 70 | 06002-91 | 72 | 06001-47 | 73 | 06002-42 | 75 |
| 27 | 1353 | 600 | 06000-11 | 59 | 06000-61 | 62 | 06002-65 | 64 | 06001-11 | 65 | 06002-11 | 68 |
| | | 700 | 06000-12 | 65 | 06000-62 | 68 | 06002-66 | 70 | 06001-12 | 71 | 06002-12 | 74 |
| | | 800 | 06000-13 | 73 | 06000-63 | 76 | 06002-67 | 78 | 06001-13 | 79 | 06002-13 | 82 |
| | | 900 | 06000-14 | 77 | 06000-64 | 80 | 06002-68 | 82 | 06001-14 | 83 | 06002-14 | 86 |
| | | 1000 | 06000-15 | 81 | 06000-65 | 84 | 06002-69 | 86 | 06001-15 | 87 | 06002-15 | 90 |
| | | 1200 | 06000-303 | 85 | 06000-89 | 88 | 06002-93 | 90 | 06001-49 | 91 | 06002-44 | 94 |
| 33 | 1619 | 600 | 06000-16 | 69 | 06000-66 | 72 | 06002-70 | 74 | 06001-16 | 76 | 06002-16 | 80 |
| | | 700 | 06000-17 | 75 | 06000-67 | 78 | 06002-71 | 80 | 06001-17 | 83 | 06002-17 | 87 |
| | | 800 | 06000-18 | 83 | 06000-68 | 86 | 06002-72 | 88 | 06001-18 | 91 | 06002-18 | 95 |
| | | 900 | 06000-19 | 87 | 06000-69 | 90 | 06002-73 | 92 | 06001-19 | 95 | 06002-19 | 99 |
| | | 1000 | 06000-20 | 91 | 06000-70 | 94 | 06002-74 | 96 | 06001-20 | 99 | 06002-20 | 103 |
| | | 1200 | 06000-304 | 95 | 06000-90 | 98 | 06002-94 | 100 | 06001-50 | 103 | 06002-45 | 107 |
| 39 | 1886 | 600 | 06000-21 | 79 | 06000-71 | 82 | 06002-75 | 84 | 06001-21 | 86 | 06002-21 | 90 |
| | | 700 | 06000-22 | 86 | 06000-72 | 89 | 06002-76 | 91 | 06001-22 | 94 | 06002-22 | 98 |
| | | 800 | 06000-23 | 96 | 06000-73 | 99 | 06002-77 | 101 | 06001-23 | 104 | 06002-23 | 108 |
| | | 900 | 06000-24 | 100 | 06000-74 | 103 | 06002-78 | 105 | 06001-24 | 108 | 06002-24 | 112 |
| | | 1000 | 06000-25 | 104 | 06000-75 | 107 | 06002-79 | 109 | 06001-25 | 112 | 06002-25 | 116 |
| | | 1200 | 06000-305 | 108 | 06000-91 | 111 | 06002-95 | 113 | 06001-51 | 116 | 06002-46 | 120 |
| 42 | 2019 | 600 | 06000-26 | 84 | 06000-76 | 87 | 06002-80 | 89 | 06001-26 | 91 | 06002-26 | 96 |
| | | 700 | 06000-27 | 91 | 06000-77 | 94 | 06002-81 | 96 | 06001-27 | 100 | 06002-27 | 104 |
| | | 800 | 06000-28 | 102 | 06000-78 | 105 | 06002-82 | 107 | 06001-28 | 111 | 06002-28 | 115 |
| | | 900 | 06000-29 | 106 | 06000-79 | 109 | 06002-83 | 111 | 06001-29 | 115 | 06002-29 | 119 |
| | | 1000 | 06000-30 | 110 | 06000-80 | 113 | 06002-84 | 115 | 06001-30 | 119 | 06002-30 | 123 |
| | | 1200 | 06000-306 | 114 | 06000-92 | 117 | 06002-96 | 119 | 06001-52 | 123 | 06002-47 | 127 |
| 45 | 2153 | 600 | 06000-31 | 89 | 06000-81 | 92 | 06002-85 | 94 | 06001-31 | 97 | 06002-31 | 101 |
| | | 700 | 06000-32 | 97 | 06000-82 | 100 | 06002-86 | 102 | 06001-32 | 105 | 06002-32 | 109 |
| | | 800 | 06000-33 | 109 | 06000-83 | 112 | 06002-87 | 114 | 06001-33 | 117 | 06002-33 | 121 |
| | | 900 | 06000-34 | 113 | 06000-84 | 116 | 06002-88 | 118 | 06001-34 | 121 | 06002-34 | 125 |
| | | 1000 | 06000-35 | 117 | 06000-85 | 120 | 06002-89 | 122 | 06001-35 | 125 | 06002-35 | 129 |
| | | 1200 | 06000-307 | 121 | 06000-93 | 124 | 06002-97 | 126 | 06001-53 | 129 | 06002-48 | 133 |

NOTES:

Preferred sizes are indicated by blue areas. The Series 2005 Cabinet generally conforms to IEC 60297 and AS1939 practice. Weights are for Frame sides, 2 metal doors & Mounting angles.

S2005 DOORS

These innovatively designed doors are a feature of the 2005 cabinet range. The unique box fold on both sides of the door was developed employing state of the art bending technology and machinery that provided the platform for the development of these doors. This technique ensures that the doors will be both light and strong.

For the glazed doors a PVC beading section developed by MFB securely mounts the panel in the door. Glazing can be in either glass or acrylic, Smoke Grey tinted is standard. All doors are fabricated in Zinc Phosphated steel with a powder coated finish.

Apart from the double doors all are fitted with left hand hinges, unless right hand is requested. All hinges allow the door to swing a full 180 degrees and the door can be lifted off once it has swung past 90 degrees. The lift off option and the double doors are a useful option when the cabinets are sited in a confined space eg. In a passageway, this can become an OH&S issue.

All lock systems are concealed within the unique box fold design. Standard locks are single point. The double doors are fitted with 2 point locking. For increased security, doors can be fitted with a different key number, an individual lock system, or a registered BiLock / Abloy locking system. In all cases except the double doors, these lock styles can be supplied fitted to 3 point locking systems.

Venting on doors is achieved by using a cluster of 4.5mm square holes along the length of the panel. On vented glazed doors venting is provided down both sides of the window, while the metal doors have significant punching to achieve maximum airflow over the entire door surface.

The finish on doors is a powder coat and can be colour matched to the side panels, or existing cabinets, please refer to the colour chart on the inside rear cover.



PLAIN



DOUBLE



SERVER



GLAZED



GLAZED VENTED



DOUBLE VENTED

*Two point locking on double doors.

S2005 DOORS - PART NUMBERS

| RU | TYPE | LH 600 CODE | RH 600 CODE | LH 700/19" CODE | RH 700/19" CODE | LH 800/19" CODE | RH 800/19" CODE |
|--------------------|-----------------|----------------|----------------|--------------------|--------------------|--------------------|--------------------|
| 12* METAL LOCKABLE | PLAIN | 06003-01 | 06003-40 | 06003-130 | 06003-131 | 06003-20 | 06003-50 |
| | VENTED - SERVER | 06101-40 | 06101-41 | 06101-60 | 06101-61 | 06101-80 | 06101-81 |
| GLASS LOCKABLE | PLAIN | 06003-150 | 06003-170 | 06003-190 | 06003-191 | 06003-160 | 06003-180 |
| | VENTED | 06003-210 | 06003-226 | 06003-242 | 06003-243 | 06003-218 | 06003-234 |
| ACRYLIC LOCKABLE | PLAIN | 06003-260 | 06003-261 | 06003-280 | 06003-281 | 06003-300 | 06003-301 |
| | VENTED | 06003-320 | 06003-321 | 06003-340 | 06003-341 | 06003-360 | 06003-361 |
| 18* METAL LOCKABLE | PLAIN | 06003-02 | 06003-41 | 06003-132 | 06003-133 | 06003-21 | 06003-51 |
| | VENTED - SERVER | 06101-42 | 06101-43 | 06101-62 | 06101-63 | 06101-82 | 06101-83 |
| GLASS LOCKABLE | PLAIN | 06003-151 | 06003-171 | 06003-192 | 06003-193 | 06003-161 | 06003-181 |
| | VENTED | 06003-211 | 06003-227 | 06003-244 | 06003-245 | 06003-219 | 06003-235 |
| ACRYLIC LOCKABLE | PLAIN | 06003-262 | 06003-263 | 06003-282 | 06003-283 | 06003-302 | 06003-303 |
| | VENTED | 06003-322 | 06003-323 | 06003-342 | 06003-343 | 06003-362 | 06003-363 |
| 27 METAL LOCKABLE | PLAIN | 06003-03 | 06003-42 | 06003-136 | 06003-137 | 06003-22 | 06003-52 |
| | VENTED - SERVER | 06101-44 | 06101-45 | 06101-64 | 06101-65 | 06101-84 | 06101-85 |
| DOUBLE DOORS | PLAIN | 06010-01 | 06010-01 | 06010-10 | 06010-10 | 06010-19 | 06010-19 |
| | VENTED | 06010-28 | 06010-28 | 06010-37 | 06010-37 | 06010-46 | 06010-46 |
| GLASS LOCKABLE | PLAIN | 06003-152 | 06003-172 | 06003-196 | 06003-197 | 06003-162 | 06003-182 |
| | VENTED | 06003-212 | 06003-228 | 06003-248 | 06003-249 | 06003-220 | 06003-236 |
| ACRYLIC LOCKABLE | PLAIN | 06003-264 | 06003-265 | 06003-284 | 06003-285 | 06003-304 | 06003-305 |
| | VENTED | 06003-324 | 06003-325 | 06003-344 | 06003-345 | 06003-364 | 06003-365 |
| 33 METAL LOCKABLE | PLAIN | 06003-04 | 06003-43 | 06003-138 | 06003-139 | 06003-23 | 06003-53 |
| | VENTED - SERVER | 06101-46 | 06101-47 | 06101-66 | 06101-67 | 06101-86 | 06101-87 |
| DOUBLE DOORS | PLAIN | 06010-02 | 06010-02 | 06010-11 | 06010-11 | 06010-20 | 06010-20 |
| | VENTED | 06010-29 | 06010-29 | 06010-38 | 06010-38 | 06010-47 | 06010-47 |
| GLASS LOCKABLE | PLAIN | 06003-153 | 06003-173 | 06003-198 | 06003-199 | 06003-163 | 06003-183 |
| | VENTED | 06003-213 | 06003-229 | 06003-250 | 06003-251 | 06003-221 | 06003-237 |
| ACRYLIC LOCKABLE | PLAIN | 06003-266 | 06003-267 | 06003-286 | 06003-287 | 06003-306 | 06003-307 |
| | VENTED | 06003-326 | 06003-327 | 06003-346 | 06003-347 | 06003-366 | 06003-367 |
| 39 METAL LOCKABLE | PLAIN | 06003-05 | 06003-44 | 06003-140 | 06003-141 | 06003-24 | 06003-54 |
| | VENTED - SERVER | 06101-48 | 06101-49 | 06101-68 | 06101-69 | 06101-88 | 06101-89 |
| DOUBLE DOORS | PLAIN | 06010-03 | 06010-03 | 06010-12 | 06010-12 | 06010-21 | 06010-21 |
| | VENTED | 06010-30 | 06010-30 | 06010-39 | 06010-39 | 06010-48 | 06010-48 |
| GLASS LOCKABLE | PLAIN | 06003-154 | 06003-174 | 06003-200 | 06003-201 | 06003-164 | 06003-184 |
| | VENTED | 06003-214 | 06003-230 | 06003-252 | 06003-253 | 06003-222 | 06003-238 |
| ACRYLIC LOCKABLE | PLAIN | 06003-268 | 06003-269 | 06003-288 | 06003-289 | 06003-308 | 06003-309 |
| | VENTED | 06003-328 | 06003-329 | 06003-348 | 06003-349 | 06003-368 | 06003-369 |
| 42 METAL LOCKABLE | PLAIN | 06003-06 | 06003-45 | 06003-142 | 06003-143 | 06003-25 | 06003-55 |
| | VENTED - SERVER | 06101-50 | 06101-51 | 06101-70 | 06101-71 | 06101-90 | 06101-91 |
| DOUBLE DOORS | PLAIN | 06010-04 | 06010-04 | 06010-13 | 06010-13 | 06010-22 | 06010-22 |
| | VENTED | 06010-31 | 06010-31 | 06010-40 | 06010-40 | 06010-49 | 06010-49 |

NOTES:

Double Doors not available in 12RU and 18RU sizes.
All doors are available in non-lockable magnetic if required, please ask our sales staff for information.

S2005 DOORS - PART NUMBERS

| RU | TYPE | LH 600 CODE | RH 600 CODE | LH 700/19" CODE | RH 700/19" CODE | LH 800/19" CODE | RH 800/19" CODE |
|-------------------|-----------------|----------------|----------------|--------------------|--------------------|--------------------|--------------------|
| GLASS LOCKABLE | PLAIN | 06003-155 | 06003-175 | 06003-202 | 06003-203 | 06003-165 | 06003-185 |
| | VENTED | 06003-215 | 06003-231 | 06003-254 | 06003-255 | 06003-223 | 06003-239 |
| ACRYLIC LOCKABLE | PLAIN | 06003-270 | 06003-271 | 06003-290 | 06003-291 | 06003-310 | 06003-311 |
| | VENTED | 06003-330 | 06003-331 | 06003-350 | 06003-351 | 06003-370 | 06003-371 |
| 45 METAL LOCKABLE | PLAIN | 06003-07 | 06003-46 | 06003-144 | 06003-145 | 06003-26 | 06003-56 |
| | VENTED - SERVER | 06101-52 | 06101-53 | 06101-72 | 06101-73 | 06101-92 | 06101-93 |
| DOUBLE DOORS | PLAIN | 06010-05 | 06010-05 | 06010-14 | 06010-14 | 06010-23 | 06010-23 |
| | VENTED | 06010-32 | 06010-32 | 06010-41 | 06010-41 | 06010-50 | 06010-50 |
| GLASS LOCKABLE | PLAIN | 06003-156 | 06003-176 | 06003-204 | 06003-205 | 06003-166 | 06003-186 |
| | VENTED | 06003-216 | 06003-232 | 06003-256 | 06003-257 | 06003-224 | 06003-240 |
| ACRYLIC LOCKABLE | PLAIN | 06003-272 | 06003-273 | 06003-292 | 06003-293 | 06003-312 | 06003-313 |
| | VENTED | 06003-332 | 06003-333 | 06003-352 | 06003-353 | 06003-372 | 06003-373V |

S2005 LIFT & SWING HANDLE OPTION

All 2005 series doors are available with a "lift & swing" handle; this handle may be linked to either a single-point lock or multi-point lock rods.

NOTE: Please contact our sales staff for further information.



S2005 MULTI-POINT OPTION

For added security, an optional multi-point locking system is available. The standard centre lock flag is retained and is coupled to rods; which lock the top and bottom of the door. Security with both the single point and the multipoint systems can be further upgraded by the addition of 'Bilock' or similar locks.



MULTIPOINT LOCKING KIT

| RU | CODE |
|----|----------|
| 27 | 06018-01 |
| 33 | 06018-02 |
| 39 | 06018-03 |
| 42 | 06018-04 |
| 45 | 06018-05 |

S2005 BILOCKS OPTION

Bilocks may be specified when added security is a requirement. They can be keyed to a series with a masterkey and can be fitted to all sides and doors.

NOTE: Please contact our sales staff for further information.



S2005 SEAL KIT

This seal kit enables a higher level of protection for dust and water on the S2005 range of cabinets. When seal is fitted to all doors and sides of the cabinet, and when used in conjunction with the plain top panel, it provides protection of around IP34.

S2005 SEAL KIT

| RU | CODE |
|----|----------|
| 18 | 06024-02 |
| 27 | 06024-03 |
| 39 | 06024-05 |
| 45 | 06024-07 |

S2005 SMARTLOCK HANDLE

IP addressable smartlock systems are available for the S2005 range of doors. Providing flexibility, remote locking and traceability, the smartlock system with temperature and humidity sensing, can be fitted to all door configurations. (See page 83 for more details).



S2005 SIDE PANELS

Side Panels are fitted when required. They come with slam type latches which are positioned at a workable height making them ergonomically friendly to use. Standard or BiLock type locks can be added for increased security.



S2005 SIDE PANEL LOCK

| TYPE | CODE |
|------|----------|
| LOCK | 37003-01 |

S2005 DIVIDER PANELS

Divider Panels can be used when cabinets are bayed together and access needs to be isolated between the rack or when ventilation needs to be controlled. Only one panel is required per pair of Cabinets.



NOTES:

*For 1200 Deep Cabinets, dual 600 Deep Sides are used.

S2005 SIDE & DIVIDER PANELS

| RU | DEPTH | SIDE CODE | DIVIDER CODE |
|----|-------|------------|--------------|
| 12 | 600 | 06006-01 | 06015-01 |
| | 700 | 06006-02 | 06015-02 |
| | 800 | 06006-03 | 06015-03 |
| | 900 | 06006-04 | 06015-24 |
| | 1000 | 06006-05 | 06015-25 |
| | 1200* | 2X06006-01 | 2X06015-01 |
| 18 | 600 | 06006-06 | 06015-04 |
| | 700 | 06006-07 | 06015-05 |
| | 800 | 06006-08 | 06015-06 |
| | 900 | 06006-09 | 06015-26 |
| | 1000 | 06006-10 | 06015-27 |
| | 1200* | 2X06006-06 | 2X06015-04 |
| 27 | 600 | 06006-11 | 06015-07 |
| | 700 | 06006-12 | 06015-08 |
| | 800 | 06006-13 | 06015-09 |
| | 900 | 06006-14 | 06015-28 |
| | 1000 | 06006-15 | 06015-29 |
| | 1200* | 2X06006-11 | 2X06015-07 |
| 33 | 600 | 06006-16 | 06015-10 |
| | 700 | 06006-17 | 06015-11 |
| | 800 | 06006-18 | 06015-12 |
| | 900 | 06006-19 | 06015-30 |
| | 1000 | 06006-20 | 06015-31 |
| | 1200* | 2X06006-16 | 2X06015-10 |
| 39 | 600 | 06006-21 | 06015-13 |
| | 700 | 06006-22 | 06015-14 |
| | 800 | 06006-23 | 06015-15 |
| | 900 | 06006-24 | 06015-32 |
| | 1000 | 06006-25 | 06015-33 |
| | 1200* | 2X06006-21 | 2X06015-13 |
| 42 | 600 | 06006-26 | 06015-16 |
| | 700 | 06006-27 | 06015-17 |
| | 800 | 06006-28 | 06015-18 |
| | 900 | 06006-29 | 06015-34 |
| | 1000 | 06006-30 | 06015-35 |
| | 1200* | 2X06006-26 | 2X06015-16 |
| 45 | 600 | 06006-31 | 06015-19 |
| | 700 | 06006-32 | 06015-20 |
| | 800 | 06006-33 | 06015-21 |
| | 900 | 06006-34 | 06015-22 |
| | 1000 | 06006-35 | 06015-23 |
| | 1200* | 2X06006-31 | 2X06015-19 |

S2005 REAR PANELS

Rear panels are generally used to restrict access to the cabinet where its not up against a wall, or when that restriction is not enough of a deterrent.

S2005 3RU & 6RU SIDE CABLE ENTRY PANELS

Allow cable access without imposing restrictions on the removable side panels.

The next standard size down side panel is supplied with a matching infil panel i.e. on a 45RU cabinet use a 6RU infil panel and a 39RU side panel.

The Base Side Cable Entry panels are made up as follows:

| | |
|------|-------------------------|
| 12RU | 3RU Infil and 9RU Side |
| 18RU | 6RU Infil and 12RU Side |
| 27RU | 3RU Infil and 24RU Side |
| 33RU | 6RU Infil and 27RU Side |
| 39RU | 6RU Infil and 33RU Side |
| 42RU | 3RU Infil and 39RU Side |
| 45RU | 6RU Infil and 39RU Side |



S2005 REAR PANELS

| RU | WIDTH | CODE |
|----|-------|----------|
| 12 | 600 | 06014-01 |
| | 700 | 06014-15 |
| | 800 | 06014-02 |
| 18 | 600 | 06014-03 |
| | 700 | 06014-16 |
| | 800 | 06014-04 |
| 27 | 600 | 06014-05 |
| | 700 | 06014-18 |
| | 800 | 06014-06 |
| 33 | 600 | 06014-07 |
| | 700 | 06014-19 |
| | 800 | 06014-08 |
| 39 | 600 | 06014-09 |
| | 700 | 06014-20 |
| | 800 | 06014-10 |
| 42 | 600 | 06014-11 |
| | 700 | 06014-21 |
| | 800 | 06014-12 |
| 45 | 600 | 06014-13 |
| | 700 | 06014-22 |
| | 800 | 06014-14 |

S2005 SIDE CABLE ENTRY PANELS

| RU | DEPTH | CODE |
|----|-------|------------|
| 12 | 600 | 06016-01 |
| | 700 | 06016-02 |
| | 800 | 06016-03 |
| | 900 | 06016-22 |
| | 1000 | 06016-23 |
| | 1200* | 2X06016-01 |
| | 600 | 06016-04 |
| 18 | 700 | 06016-05 |
| | 800 | 06016-06 |
| | 900 | 06016-24 |
| | 1000 | 06016-25 |
| | 1200* | 2X06016-04 |
| 27 | 600 | 06016-07 |
| | 700 | 06016-08 |
| | 800 | 06016-09 |
| | 900 | 06016-26 |
| | 1000 | 06016-27 |
| | 1200* | 2X06016-07 |
| | 600 | 06016-19 |
| 33 | 700 | 06016-20 |
| | 800 | 06016-21 |
| | 900 | 06016-34 |
| | 1000 | 06016-35 |
| | 1200* | 2X06016-19 |
| 39 | 600 | 06016-10 |
| | 700 | 06016-11 |
| | 800 | 06016-12 |
| | 900 | 06016-28 |
| | 1000 | 06016-29 |
| | 1200* | 2X06016-10 |
| | 600 | 06016-13 |
| 42 | 700 | 06016-14 |
| | 800 | 06016-15 |
| | 900 | 06016-30 |
| | 1000 | 06016-31 |
| | 1200* | 2X06016-13 |
| 45 | 600 | 06016-16 |
| | 700 | 06016-17 |
| | 800 | 06016-18 |
| | 900 | 06016-32 |
| | 1000 | 06016-33 |
| | 1200* | 2X06016-16 |