



S210 CABINETS

The S210 Cabinet is a perfect solution for small applications, the extensive range of sizes and door combinations makes it easy to select the right cabinet for the job.

FEATURES

Mounting Frames	Dual Internal mounting frames for adjustable mounting of equipment
Cable Entry Gland	200 x 50mm in base
Handles	Flush fitted in sides
Venting	In top and base
Assembly	Supplied assembled (can be supplied as a flat pack on request)

OPTIONS

Fixed Rear Panel	With 200 x 50mm cable entry gland
Wall Mounting Options	Lockable external swing frame Internal fixed wall mounting kit
Castors	Castor Wheel Kit available 20kg Max Weight
Roof Fan Trays	Compatible with standard MFB roof fan trays
Doors	Key Lockable May be fitted L/R hand at Front & Rear Metal, Vented or Glass

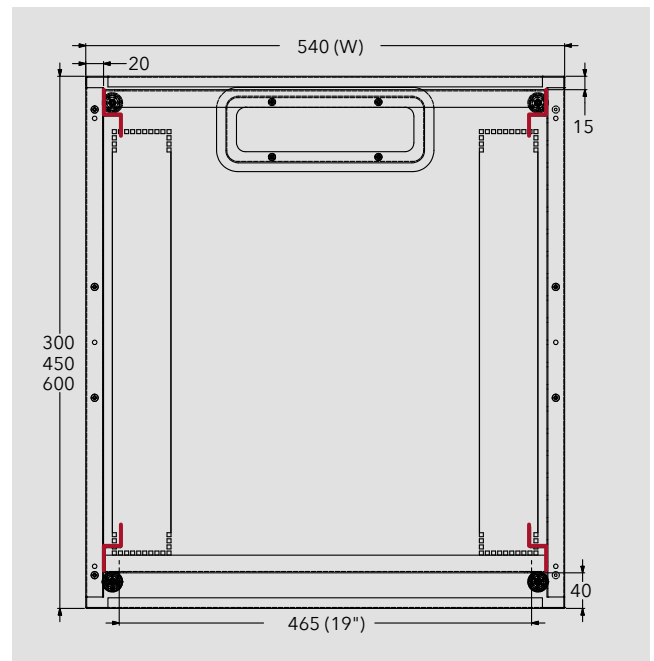
FINISH

Frame	<div style="display: flex; align-items: center;"> <div style="width: 15px; height: 15px; background-color: black; margin-right: 5px;"></div> <div> <p>34002-44 Sable Black (Other colours available upon request)</p> </div> </div>
Panels	<p>All components have a zinc phosphate pre-treatment prior to powder coating.</p> <div style="display: flex; flex-direction: column; gap: 5px;"> <div style="display: flex; align-items: center;"> <div style="width: 15px; height: 15px; background-color: black; margin-right: 5px;"></div> <div>34002-44 Sable Black</div> </div> <div style="display: flex; align-items: center;"> <div style="width: 15px; height: 15px; background-color: gray; margin-right: 5px;"></div> <div>34002-60 Monument</div> </div> <div style="display: flex; align-items: center;"> <div style="width: 15px; height: 15px; background-color: #334d5d; margin-right: 5px;"></div> <div>34002-61 Deep Ocean</div> </div> <div style="display: flex; align-items: center;"> <div style="width: 15px; height: 15px; background-color: #a69d8d; margin-right: 5px;"></div> <div>34002-62 Dune</div> </div> <div style="display: flex; align-items: center;"> <div style="width: 15px; height: 15px; background-color: #c4b89d; margin-right: 5px;"></div> <div>34002-63 Paperbark</div> </div> <div style="display: flex; align-items: center;"> <div style="width: 15px; height: 15px; background-color: #e0e0e0; margin-right: 5px;"></div> <div>34002-64 White</div> </div> </div>

SIZES

Heights (RU)	4, 6, 8, 10, 12, 14, 18
Depths (mm)	300, 450, 600
Width (mm)	540 (19")

DEPTH (MM)	MAX MOUNTING DEPTH (MM)
300	225
450	375
600	525



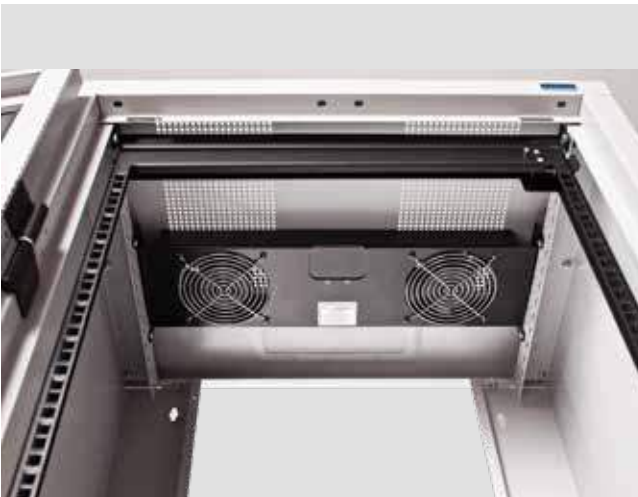
S210 Plan Drawing

CABINETS

RU	OVERALL HEIGHT	TOTAL DEPTH	WIDTH	CODE	KG
4	258	300	540	02351-01	6.9
		450	540	02351-02	8.2
		600	540	02351-04	10.4
6	347	300	540	02353-01	8
		450	540	02353-02	9.5
		600	540	02353-04	11.8
8	436	300	540	02355-01	9
		450	540	02355-02	10.7
		600	540	02355-04	12.9
10	525	300	540	02357-01	10
		450	540	02357-02	11.9
		600	540	02357-04	14.3
12	613	300	540	02358-01	10.9
		450	540	02358-02	13
		600	540	02358-04	15.5
18	880	300	540	02359-01	13.7
		450	540	02359-02	16.4
		600	540	02359-04	18.9



450d with Metal Vented Door and Side Mounted Fan option



S210 fitted with roof fan tray with thermostat

DOORS

RU	METAL		METAL VENTED		GLASS	
	CODE	KG	CODE	KG	CODE	KG
4	02365-02	1.2	02371-02	1.1	02365-50	1.1
6	02365-04	1.6	02371-04	1.3	02365-51	1.3
8	02365-06	2.1	02371-06	1.6	02365-52	1.6
10	02365-08	2.3	02371-08	1.8	02365-53	1.8
12	02365-09	2.7	02371-09	2.1	02365-54	2.1
18	02365-10	3.8	02371-10	2.8	02365-55	2.8



12RU 600d With Metal Front Door

REAR PANEL



Optional rear panel showing gland entry

RU	CODE	KG
4	02367-02	0.75
6	02367-04	1.1
8	02367-06	1.4
10	02367-08	1.7
12	02367-09	2.1
18	02367-10	3.1

ACCESSORIES



SWING TRAY ASSEMBLY

This optional external swing frame assembly allows the cabinet to be bolted to a wall and pivot 120°. The user can gain access to the rear of the cabinet without removal of equipment. The swing frame is also key lockable (not recommended for 600d)

*Adds 75mm to overall depth.

RU	CODE
4	02368-02
6	02368-04
8	02368-06
10	02368-08
12	02368-09
18	02368-10



CASTOR WHEEL

Optional castors provide full mobility to the S210.

DESCRIPTION	CODE
KIT	02730-02

* Adds 60mm to overall height.



WALL MOUNTING

This option allows the user to bolt the cabinet directly and securely to a wall allowing cable entry directly onto the rear or through the top and bottom. Cable entries located to the rear of the cabinet.

DESCRIPTION	CODE
KIT	02729-01

LOAD WEIGHTS

DESCRIPTION	LOAD (KG)
Floor Standing	80
Wall mount Bracket	40
Swing Tray	20